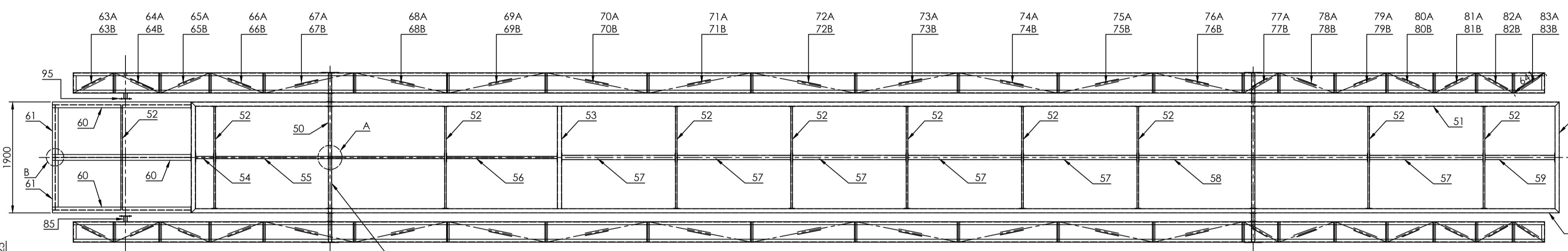
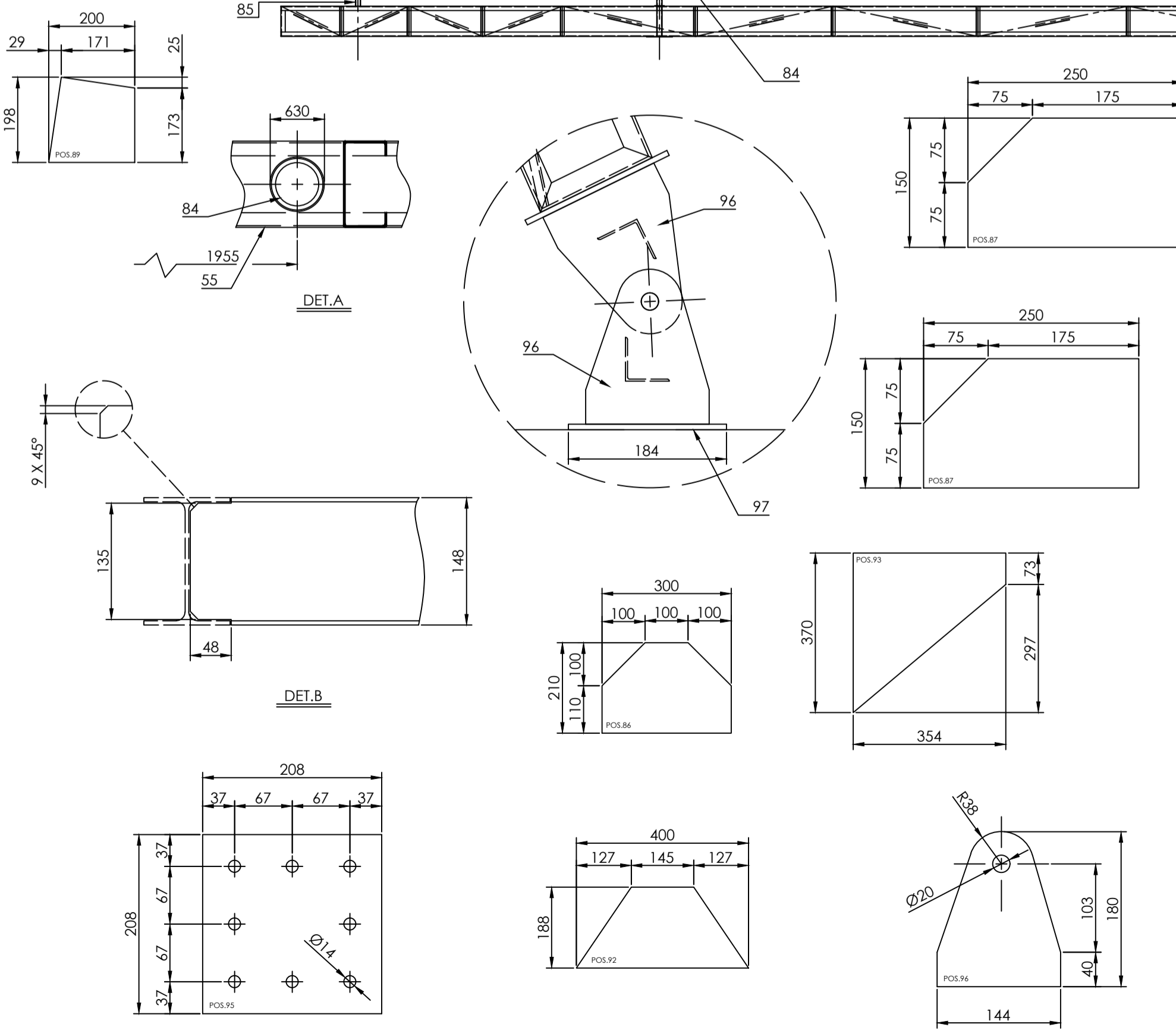


VISTA DE ELEVAÇÃO



VISTA SUPERIOR




ITEM	DESCRIÇÃO	QNTD	PESO uni. (kg)	Peso tot. (kg)
1	CANT. 1.3/4" X 3/16" X 1160	8	3,65	29,23
2	CANT. 1.3/4" X 3/16" X 775	4	2,44	9,77
3	CANT. 1.3/4" X 3/16" X 815	4	2,57	10,27
4	CANT. 1.3/4" X 3/16" X 495	4	1,56	6,24
5	CANT. 1.3/4" X 3/16" X 1220	4	3,84	15,37
6	CANT. 1.3/4" X 3/16" X 1620	4	5,10	20,41
7	CANT. 1.3/4" X 3/16" X 1250	4	3,94	15,75
8	CANT. 1.3/4" X 3/16" X 1565	4	4,93	19,72
9	CANT. 1.3/4" X 3/16" X 1200	4	3,78	15,12
10	CANT. 1.3/4" X 3/16" X 1510	4	4,76	19,03
11	CANT. 1.3/4" X 3/16" X 950	8	2,99	23,94
12	CANT. 1.3/4" X 3/16" X 940	4	2,96	11,84
13	CANT. 1.3/4" X 3/16" X 910	4	2,87	11,47
14	CANT. 1.3/4" X 3/16" X 1110	4	3,50	13,99
15	CANT. 1.3/4" X 3/16" X 1730	4	5,45	21,80
16	CANT. 1.3/4" X 3/16" X 1010	4	3,18	12,73
17	CANT. 1.3/4" X 3/16" X 1780	4	5,61	22,43
18	CANT. 1.3/4" X 3/16" X 930	4	2,93	11,72
19	CANT. 1.3/4" X 3/16" X 1675	4	5,28	21,11
20	CANT. 1.3/4" X 3/16" X 845	4	2,66	10,65
21	CANT. 1.3/4" X 3/16" X 1655	4	5,21	20,85
22	CANT. 1.3/4" X 3/16" X 767	4	2,42	9,66
23	CANT. 1.3/4" X 3/16" X 1545	4	4,87	19,47
24	CANT. 1.3/4" X 3/16" X 680	4	2,14	8,57
25	CANT. 1.3/4" X 3/16" X 1530	4	4,82	19,28
26	CANT. 1.3/4" X 3/16" X 600	4	1,89	7,56
27	CANT. 1.3/4" X 3/16" X 1420	4	4,47	17,89
28	CANT. 1.3/4" X 3/16" X 585	4	1,84	7,37
29	CANT. 1.3/4" X 3/16" X 1380	4	4,35	17,39
30	CANT. 1.3/4" X 3/16" X 440	4	1,39	5,54
31	CANT. 1.3/4" X 3/16" X 1260	4	3,97	15,88
32	CANT. 1.3/4" X 3/16" X 370	4	1,17	4,66

ITEM	DESCRIÇÃO	QNTD	PESO uni. (kg)	Peso tot. (kg)
33	CANT. 1.3/4" X 3/16" X 633	4	1,29	5,17
34	CANT. 1.3/4" X 3/16" X 410	4	1,29	5,17
35	CANT. 1.3/4" X 3/16" X 375	4	1,18	4,73
36	CANT. 1.3/4" X 3/16" X 330	4	1,04	4,16
37	CANT. 1.3/4" X 3/16" X 740	4	2,33	9,32
38	CANT. 1.3/4" X 3/16" X 350	4	1,10	4,41
39	CANT. 1.3/4" X 3/16" X 280	4	0,88	3,53
40	CANT. 1.3/4" X 3/16" X 880	4	2,77	11,09
41	CANT. 1.3/4" X 3/16" X 1280	4	4,03	16,13
42	CANT. 2" X 1/4" X 6330	4	30,32	121,28
43	CANT. 2" X 1/4" X 14975	4	71,73	286,92
44	CANT. 2" X 1/4" X 8040	4	38,51	154,05
45	CANT. 2" X 1/4" X 6650	4	31,85	127,41
46	CANT. 2" X 1/4" X 16045	4	76,86	307,42
47	CANT. 2" X 1/4" X 8250	4	39,52	158,07
48	CANT. 2" X 1/4" X 1500	4	7,19	28,74
49	CANT. 2" X 1/4" X 290	4	1,39	5,56
50	UDC 300 X 75 X 25 X 4,25 X 1900	2	29,80	59,60
51	UDC 300 X 75 X 25 X 4,25 X 23420	2	367,30	734,61
52	UDC 210 X 30 X 15 X 3 X 1740	10	11,31	113,10
53	UDC 300 X 75 X 25 X 4,25 X 1750	1	27,45	27,45
54	UDC 100 X 50 X 17 X 2 X 300	1	1,03	1,03
55	UDC 100 X 50 X 17 X 2 X 3910	1	13,36	13,36
56	UDC 100 X 50 X 17 X 2 X 1890	1	6,46	6,46
57	250 X 75 X 25 X 2 X 1930	6	12,76	76,55
58	250 X 75 X 25 X 2 X 3910	1	26,39	26,39
59	250 X 75 X 25 X 2 X 1190	1	7,55	7,55
60	W150 X 13 X 2370	3	30,81	92,43
61	W150 X 13 X 895	2	11,64	23,27
CANCELADO				
63A	CANT. 1.3/4" X 3/16" X 780	2	2,46	4,91
63B	CANT. 1.3/4" X 3/16" X 740	2	2,33	4,66
64A	CANT. 1.3/4" X 3/16" X 860	2	2,71	5,42

ITEM	DESCRIÇÃO	QNTD	PESO uni. (kg)	Peso tot. (kg)
64B	CANT. 1.3/4" X 3/16" X 815	2	2,57	5,13
65A	CANT. 1.3/4" X 3/16" X 925	2	2,91	5,83
65B	CANT. 1.3/4" X 3/16" X 870	2	2,74	5,48
66A	CANT. 1.3/4" X 3/16" X 980	2	3,09	6,17
66B	CANT. 1.3/4" X 3/16" X 930	2	2,93	5,86
67A	CANT. 1.3/4" X 3/16" X 1580	2	4,98	9,95
67B	CANT. 1.3/4" X 3/16" X 1500	2	4,73	9,45
68A	CANT. 1.3/4" X 3/16" X 1630	2	5,13	10,27
68B	CANT. 1.3/4" X 3/16" X 1540	2	4,85	9,70
69A	CANT. 1.3/4" X 3/16" X 1720	2	5,42	10,84
69B	CANT. 1.3/4" X 3/16" X 1600	2	5,04	10,08
70A	CANT. 1.3/4" X 3/16" X 1770	2	5,58	11,15
70B	CANT. 1.3/4" X 3/16" X 1680	2	5,29	10,58
71A	CANT. 1.3/4" X 3/16" X 1800	2	5,67	11,34
71B	CANT. 1.3/4" X 3/16" X 1700	2	5,36	10,71
72A	CANT. 1.3/4" X 3/16" X 1750	2	5,51	11,03
72B	CANT. 1.3/4" X 3/16" X 1660	2	5,23	10,46
73A	CANT. 1.3/4" X 3/16" X 1790	2	5,64	11,28
73B	CANT. 1.3/4" X 3/16" X 1700	2	5,36	10,71
74A	CANT. 1.3/4" X 3/16" X 1740	2	5,48	10,96
74B	CANT. 1.3/4" X 3/16" X 1650	2	5,20	10,40
75A	CANT. 1.3/4" X 3/16" X 1660	2	5,23	10,46
75B	CANT. 1.3/4" X 3/16" X 1570	2	4,95	9,89
76A	CANT. 1.3/4" X 3/16" X 1570	2	4,95	9,89
76B	CANT. 1.3/4" X 3/16" X 1490	2	4,69	9,39
77A	CANT. 1.3/4" X 3/16" X 700	2	2,21	4,41
77B	CANT. 1.3/4" X 3/16" X 665	2	2,09	4,19
78A	CANT. 1.3/4" X 3/16" X 1020	2	3,21	6,43
78B	CANT. 1.3/4" X 3/16" X 960	2	3,02	6,05
79A	CANT. 1.3/4" X 3/16" X 950	2	2,99	5,99
79B	CANT. 1.3/4" X 3/16" X 900	2	2,84	5,67
80A	CANT. 1.3/4" X 3/16" X 880	2	2,77	5,54
80B	CANT. 1.3/4" X 3/16" X 835	2	2,63	5,26
81A	CANT. 1.3/4" X 3/16" X 800	2	2,52	5,04
81B	CANT. 1.3/4" X 3/16" X 760	2	2,39	4,79
82A	CANT. 1.3/4" X 3/16" X 720	2	2,27	4,54
82B	CANT. 1.3/4" X 3/16" X 680	2	2,14	4,28
83A	CANT. 1.3/4" X 3/16" X 640	2	2,02	4,03
83A	CANT. 1.3/4" X 3/16" X 600	2	1,89	3,78
84	TUBO AISI 1020 X Ø60 X Ø50 X 2900	2	19,66	39,32
85	TUBO AISI 1020 X Ø60 X Ø50 X 100	2	0,68	1,36
86	CH.3/16" X 210 X 300	2	2,39	4,79
87	CH.3/16" X 300 X 500	2	5,70	11,40
88	CH.3/16" X 300 X 300	4	3,42	13,68
89	CH.3/16" X 200 X 200	8	1,52	12,16
90	CH.3/16" X 200 X 260	4	1,98	7,90
91	CH.3/16" X 400 X 200	28	3,04	85,12
92	CH.3/16" X 400 X 190	36	2,89	103,97
93	CH.3/16" X 350 X 370	16	4,92	78,74
94	CH.3/16" X 580 X 200	12	4,41	52,90
95	CH.3/16" X 210 X 210	2	2,21	4,41
96	CH.3/4" X 180 X 144	6	3,89	23,33
97	CH.3/4" X 185 X 185	2	5,13	10,27
98	CH.3/16" X 580 X 200	8	4,41	35,26
Total				3.718,21

FERREIRA COSTA
 Engenharia e Consultoria Ltda
 ferreiracostaengenharia@yahoo.com.br

Proprietário: PREFEITURA MUNICIPAL DE ARCOS
 Projeto: PÓRTICOS DE ENTRADA DA CIDADE - PÓRTICO DO FLORESTA
 Ref.: PROJETO ESTRUTURAL - DETALHAMENTO ESTRUTURA METÁLICA
 Endereço: Zona Urbana - Arcos/MG
 Autores:  **MARLON BATISTA DA COSTA**
 Eng. Civil/Sanitarista - CREA 50744/D

Data: JUL/2018
 Escala: INDICADA
 Folha: **03**